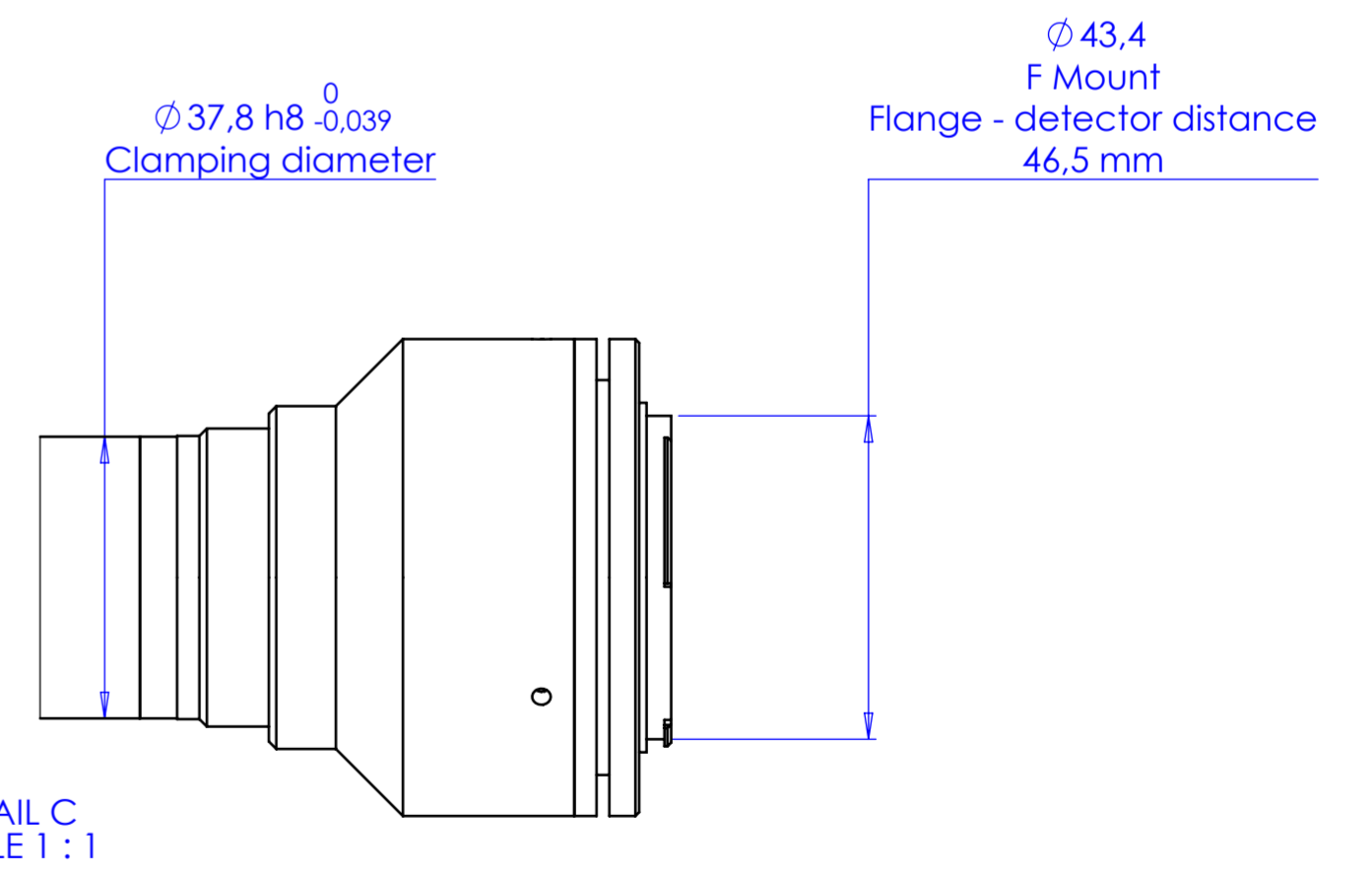
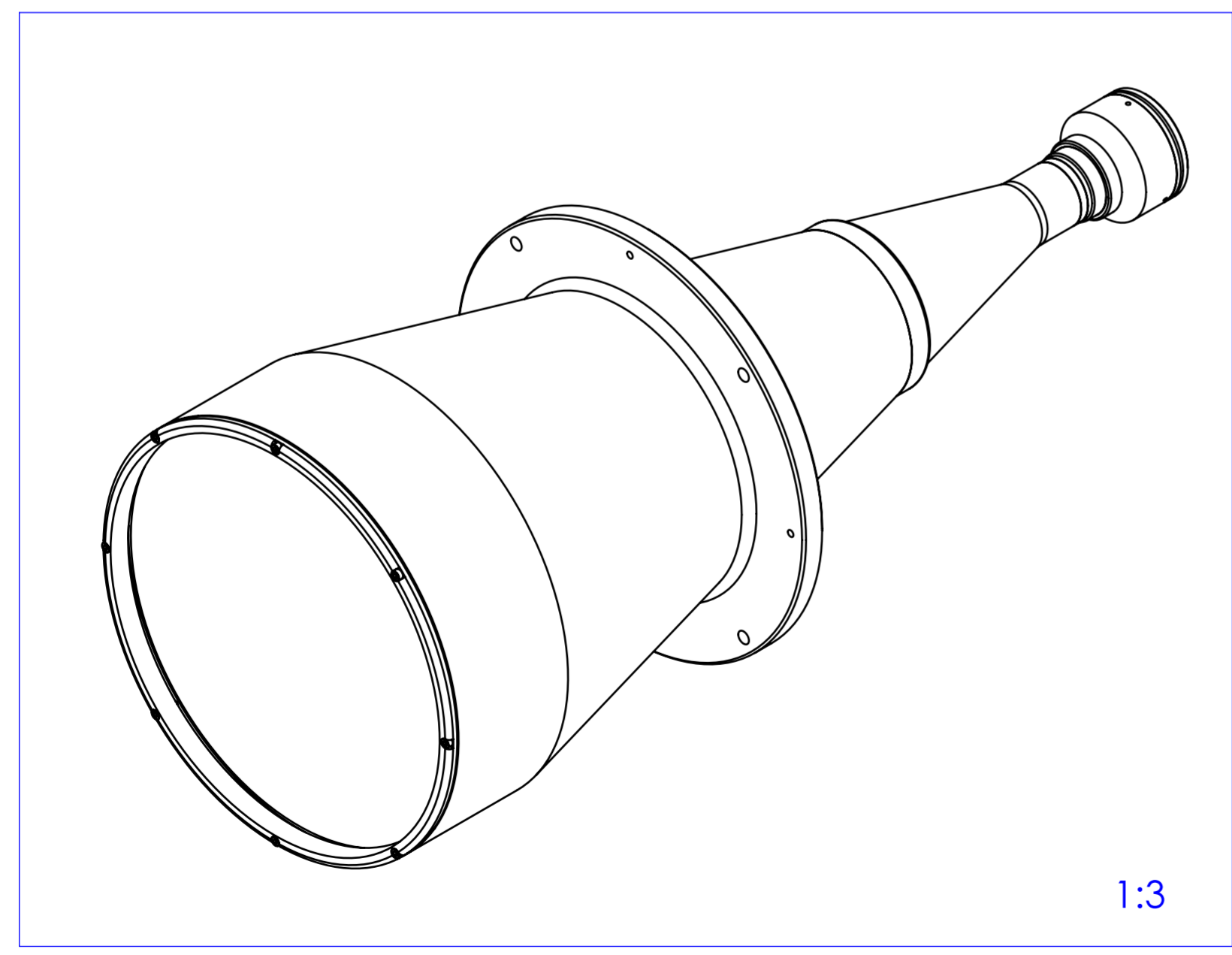
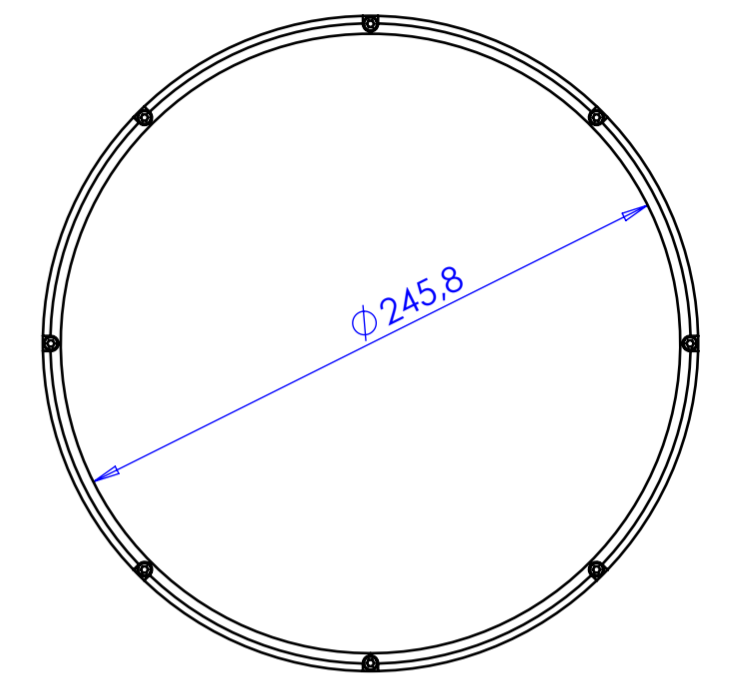
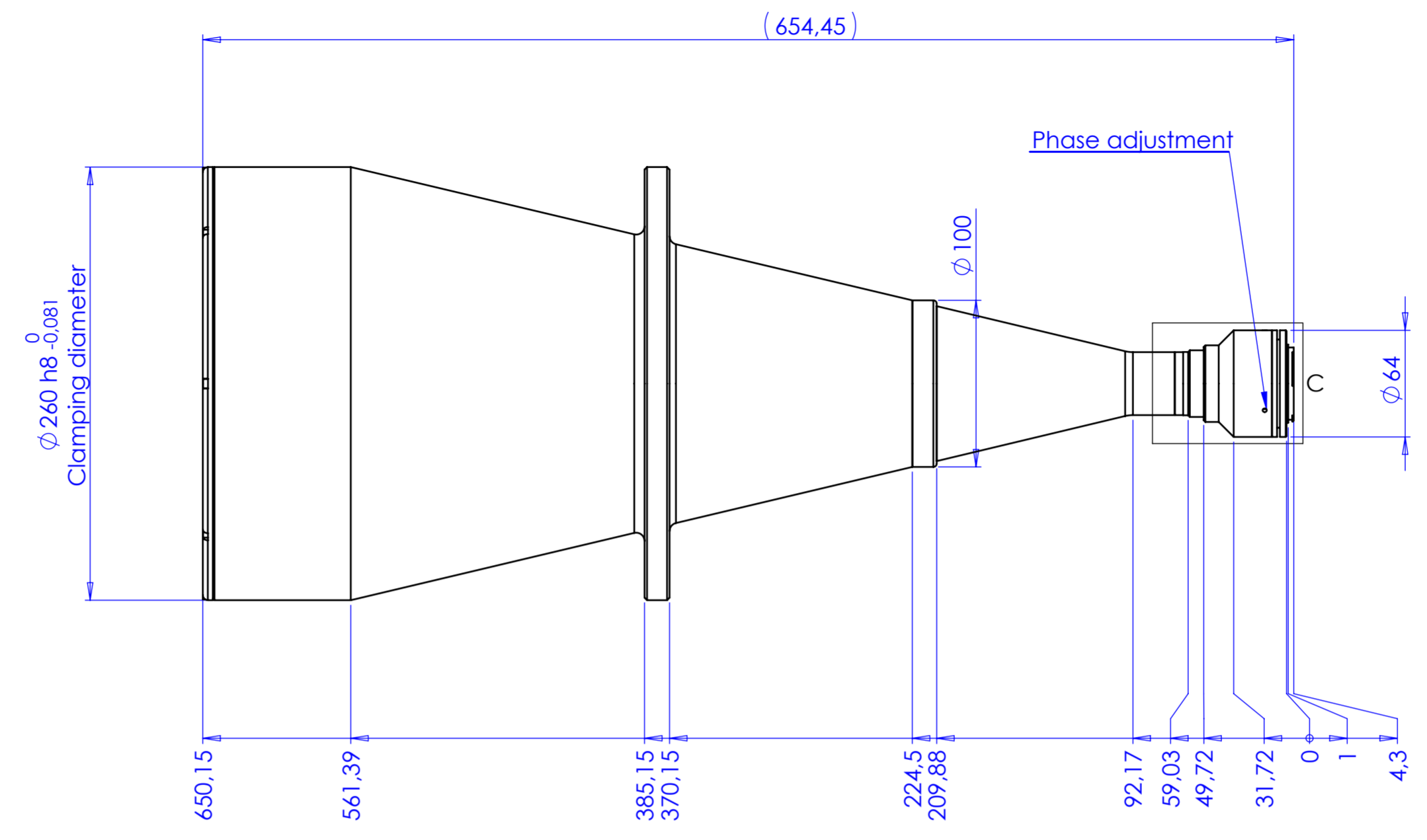
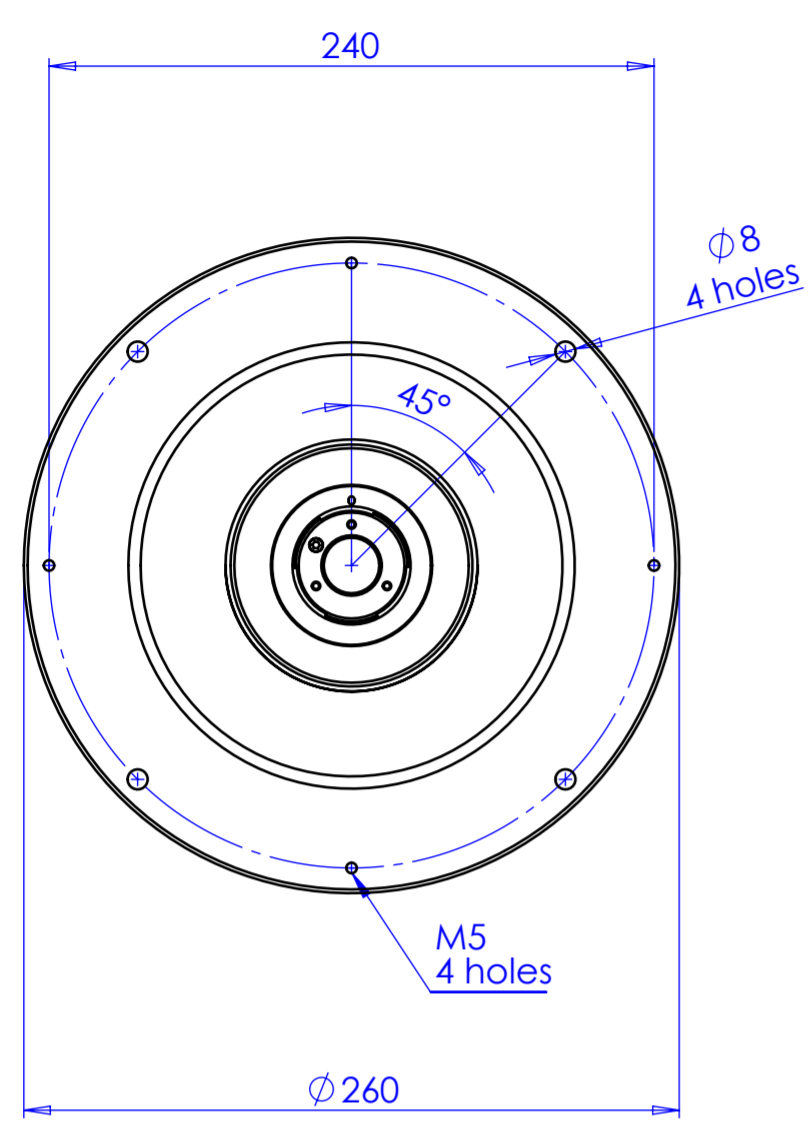


Rev No.	Description	Date	Name
B	Variazione nome	08/07/2014	Vasconetto



DETAIL C
SCALE 1 : 1

Material	N.A.	Mass	10109 g	Scale	1:3											
Surface treatment	N.A.	Part No.	CO71451													
Geometrical tolerance (ISO 2768-2)	Class	K	Undimensioned bevels	0.5x45°	Description											
Linear tolerance (ISO 2768-2)	Class	m	Undimensioned radii	R 0.5	TC4MHR192-F											
0.5	>3+	>6+	>30+	>120	>400+	>1000	>2000	>4000	Drawing No.	Sheet						
+3	6	30	120	+400	1000	+2000	+4000	Designed			Date	Name				
+0.1	±0.1	±0.2	±0.3	±0.5	±0.8	±1.2	±2		Drawn	04/04/2014			Vasconetto			
										Checked	05/06/2014	Rodella	Drawing No.	DP 71451 - B	Sheet	1/1
OPTO ENGINEERING S.r.l. - Mantova Italy - Tel. +39 0376 699111 - www.opto-engineering.com										Secret and confidential - All rights reserved - No copy, dissemination or circulation is allowed unless specifically authorized in writing by OPTO ENGINEERING S.r.l. - Any violation shall be legally prosecuted.						