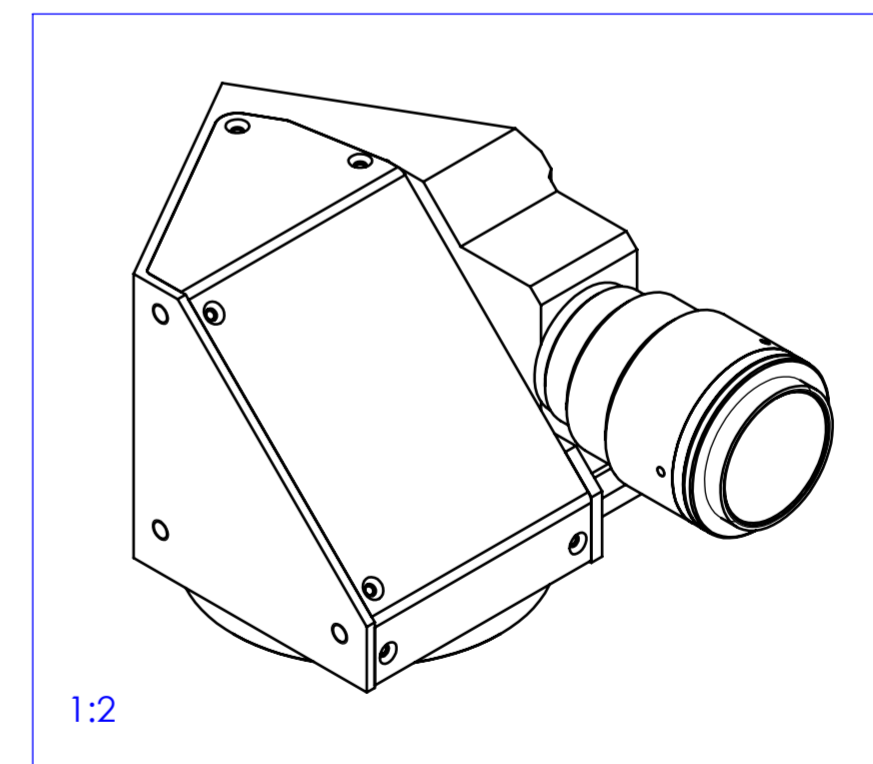
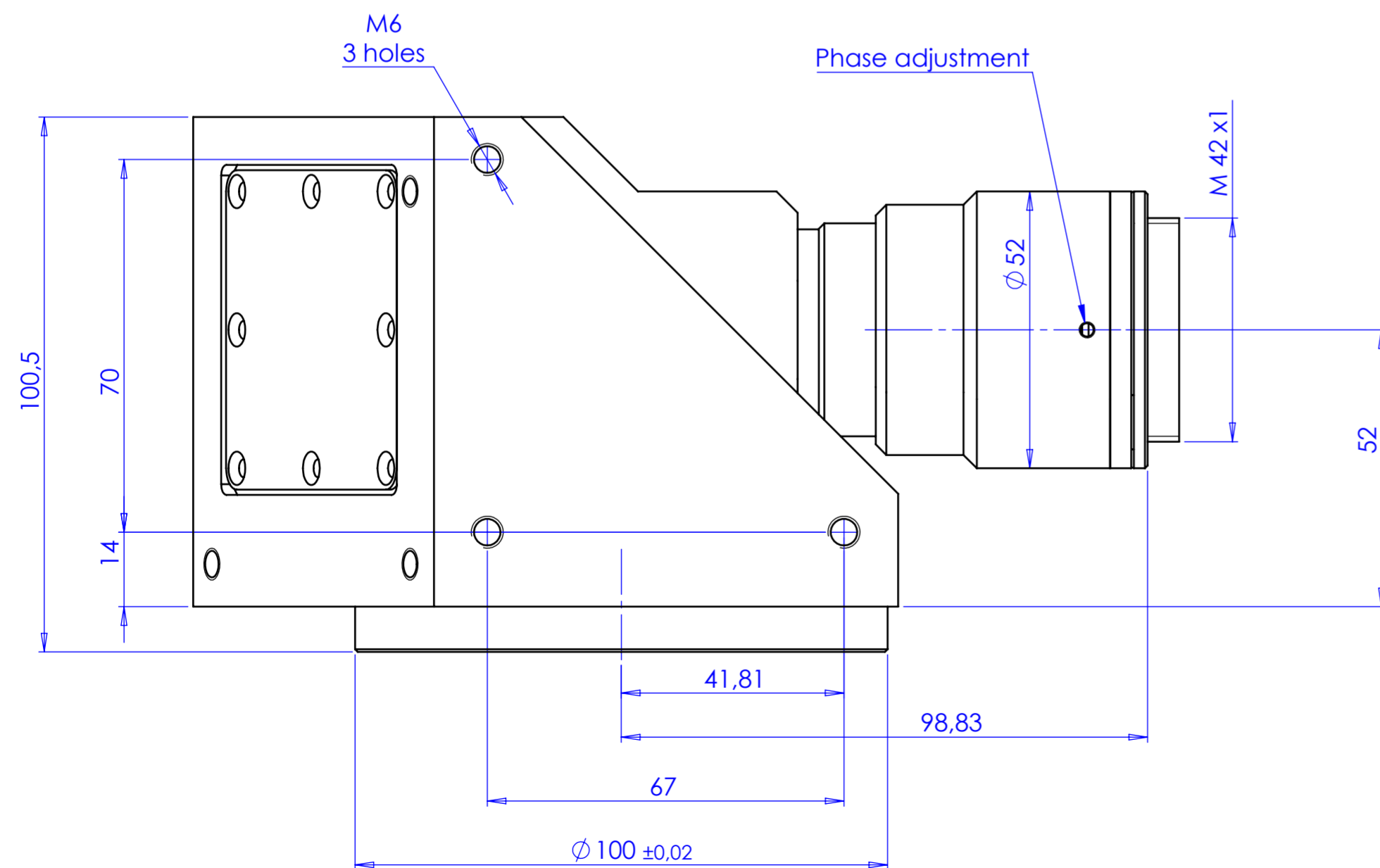
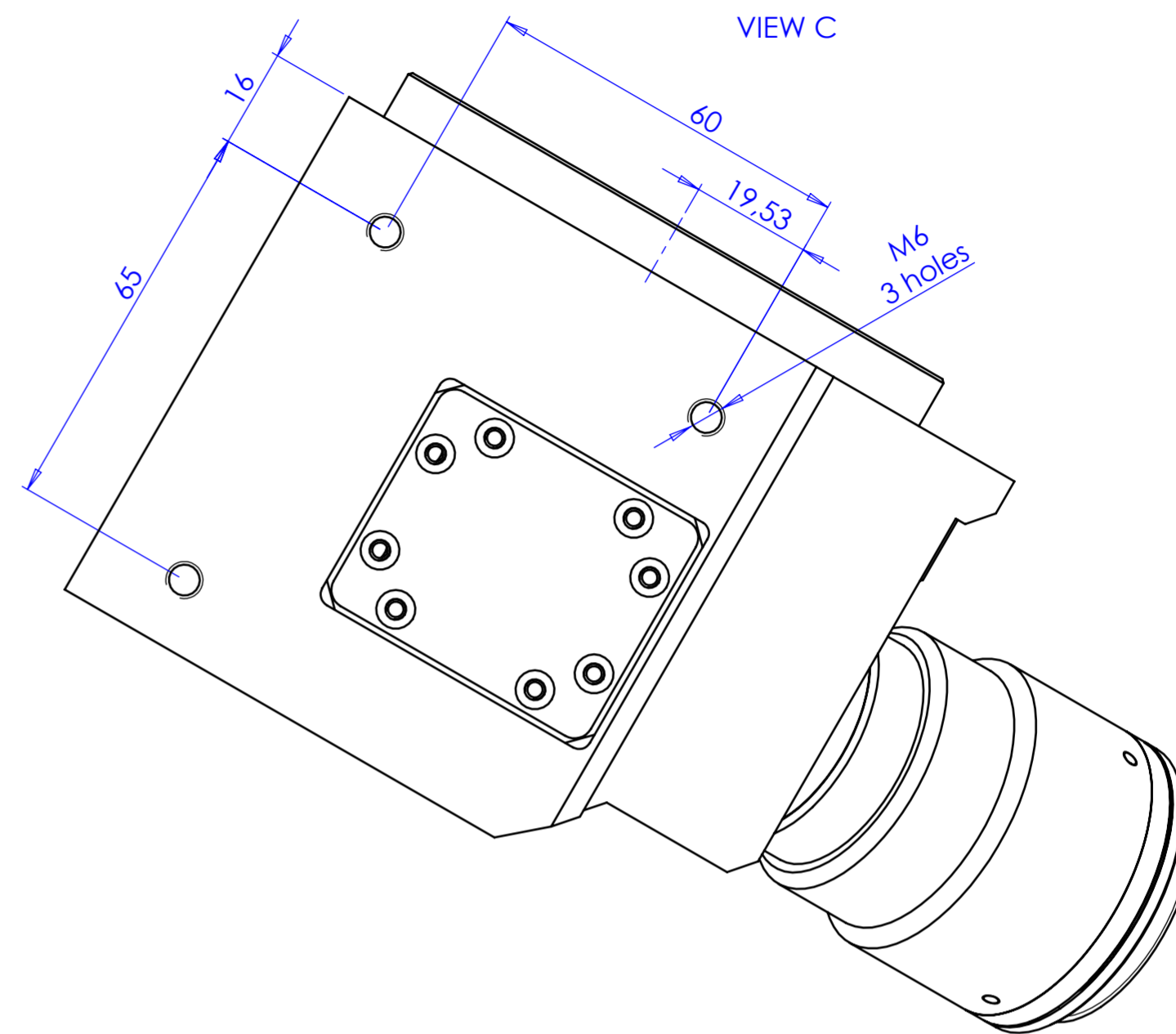
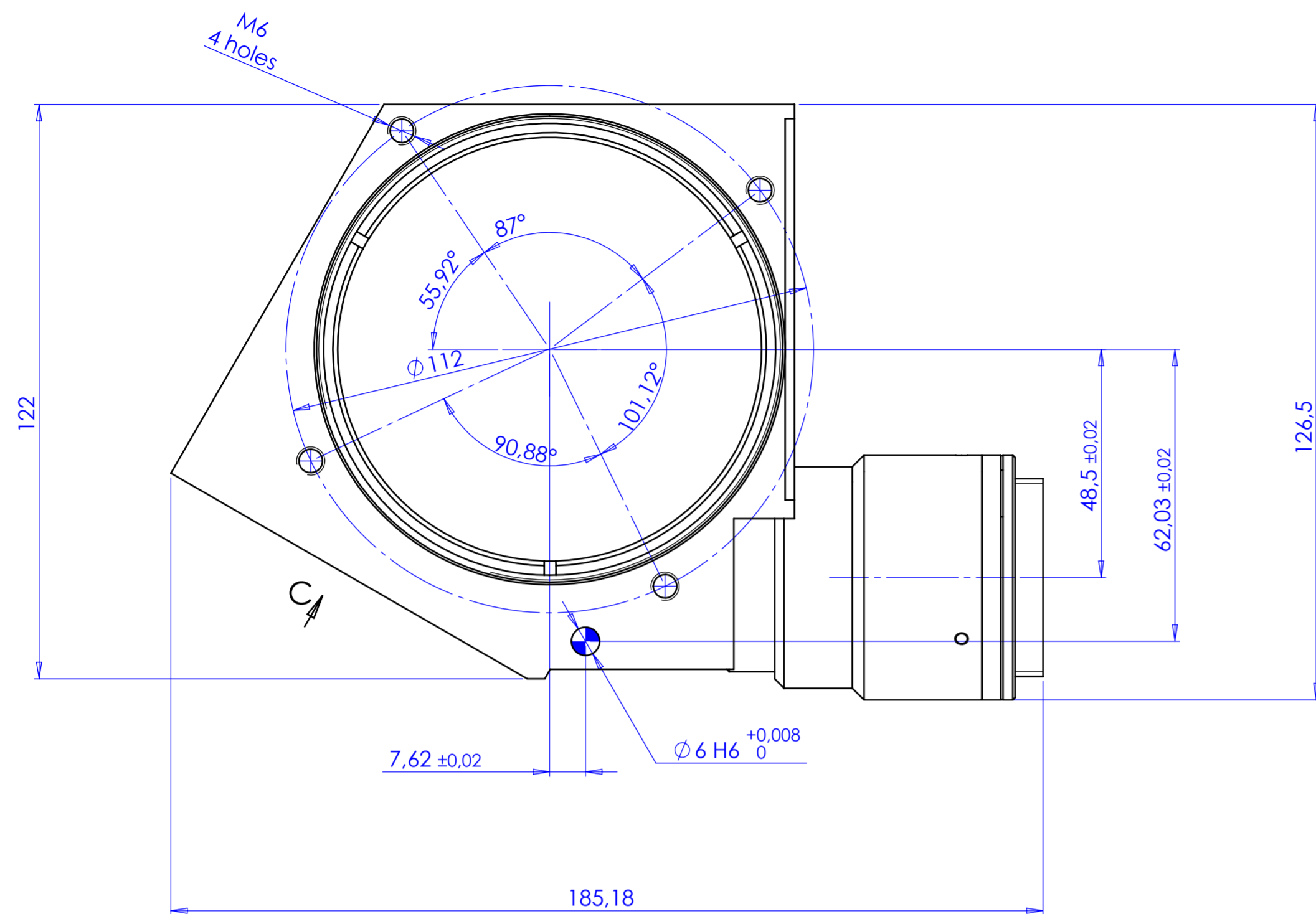


Rev No.	Description	Date	Name
B	Aggiunte quote	16/01/2017	Rodella



Material	N.A.	Mass	2051 g	Scale	1:1
Surface treatment	N.A.	Part No.	CO24015		
Geometrical tolerance (ISO 2768-2)	Class	K	Undimensioned bevels	0.5x45°	Description
0.5	>3+	>6°	>120	>400+	TCCR2M064-E
+3	6	30	120	+400	
+0.1	±0.1	±0.2	±0.3	±0.5	Undimensioned radii
					R 0.5
		Date	Name	Drawing No.	Sheet
OPTO ENGINEERING S.r.l. - Mantova Italy - Tel. +39 0376 699111 - www.opto-engineering.com		Designed	04/05/2015	Vasconetto	DP 24015-B
		Drawn	20/07/2015	Rodella	
		Checked			
Secret and confidential - All rights reserved - No copy, dissemination or circulation is allowed unless specifically authorized in writing by OPTO ENGINEERING S.r.l. - Any violation shall be legally prosecuted.					