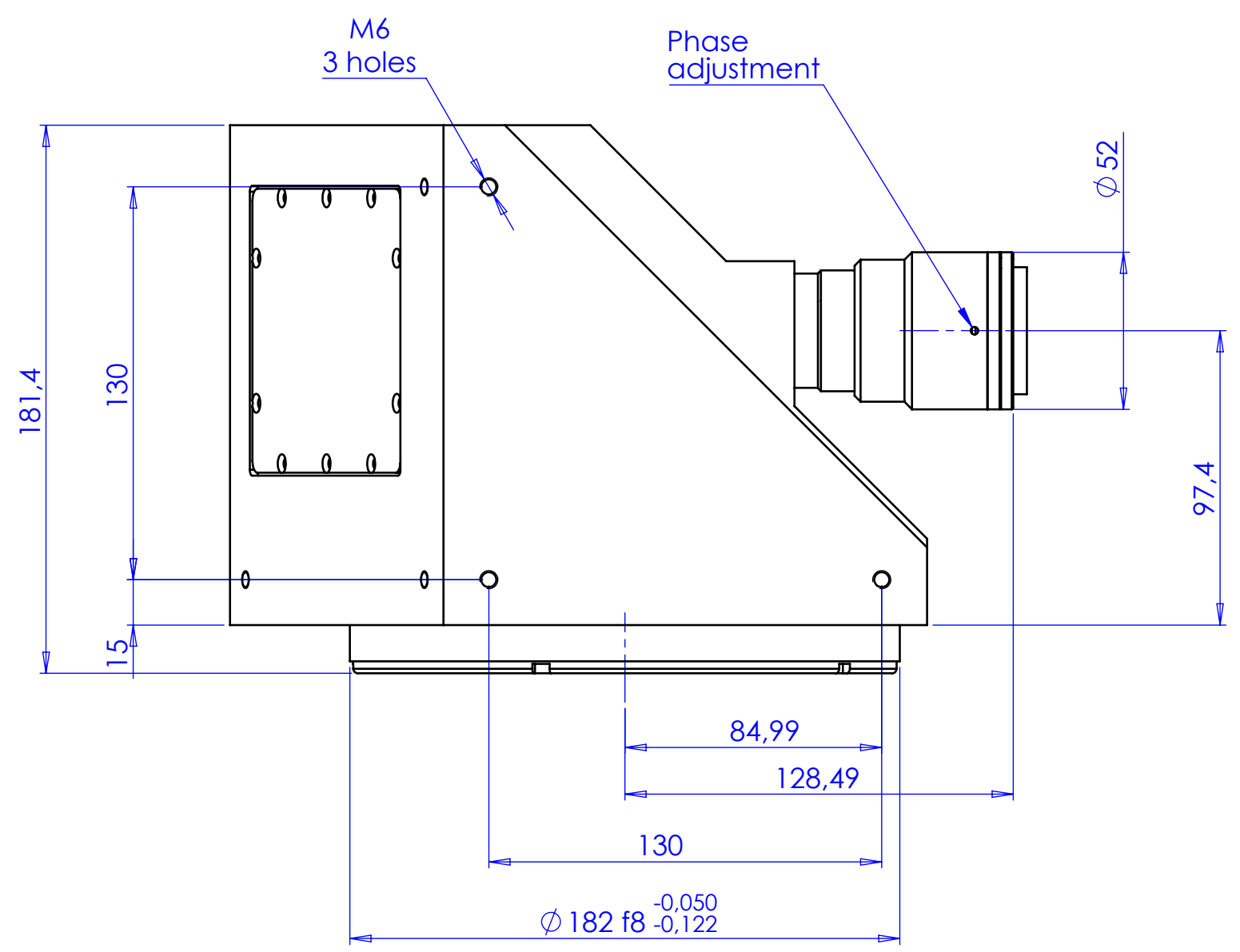
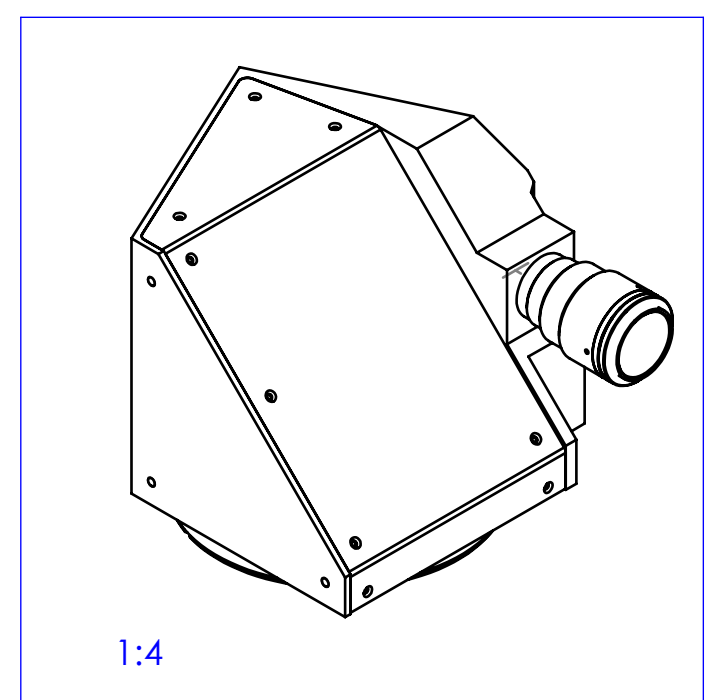
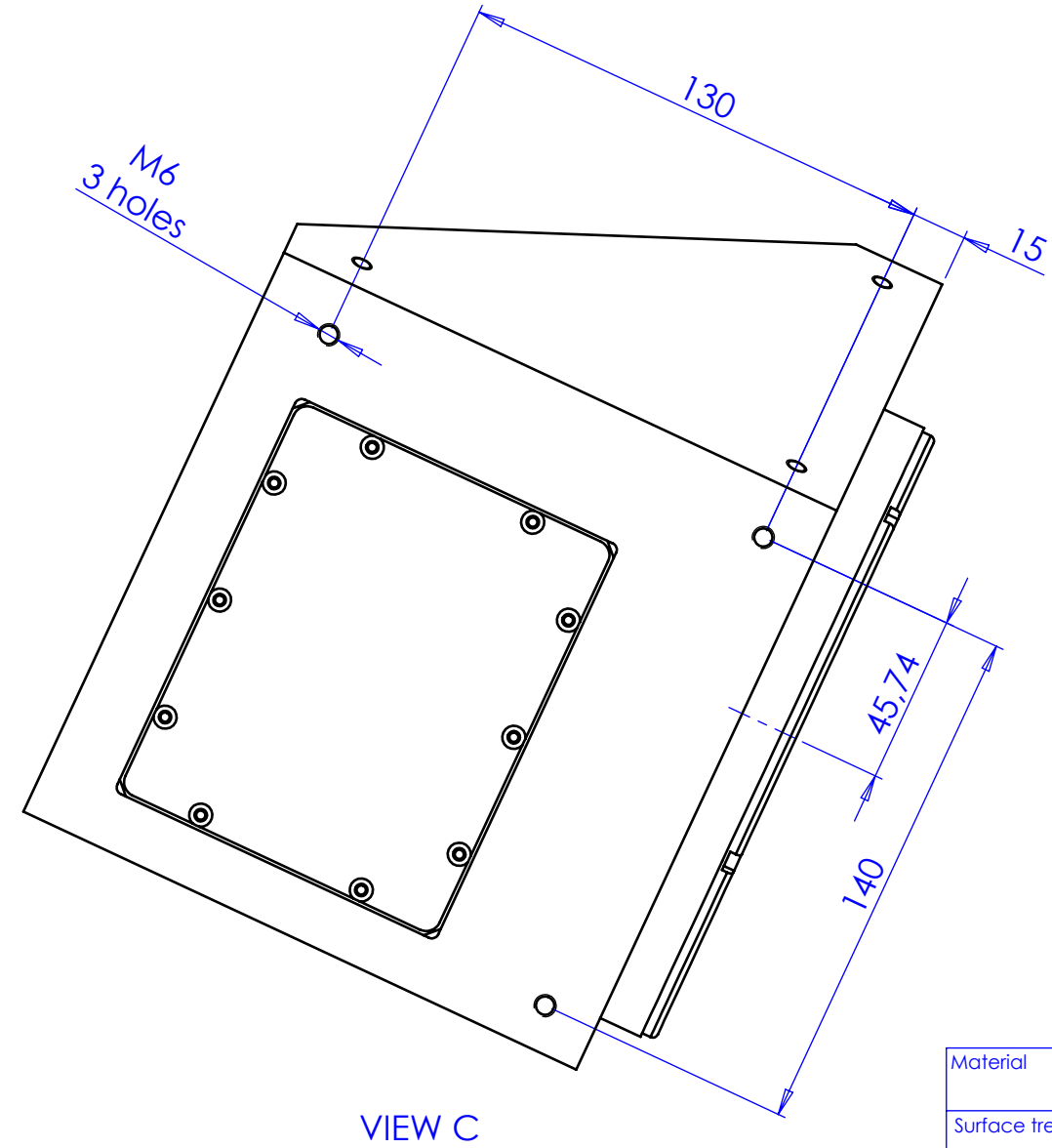
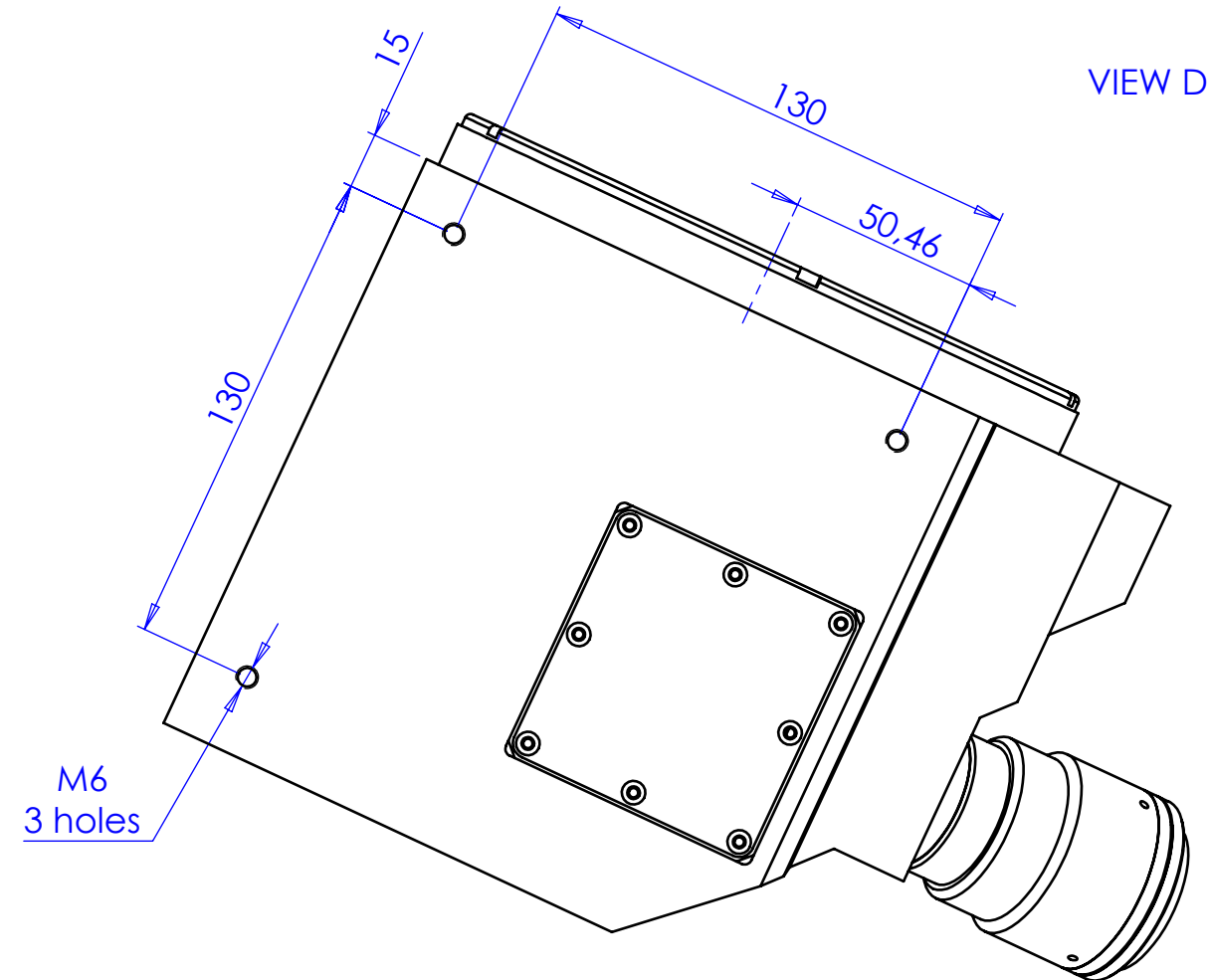
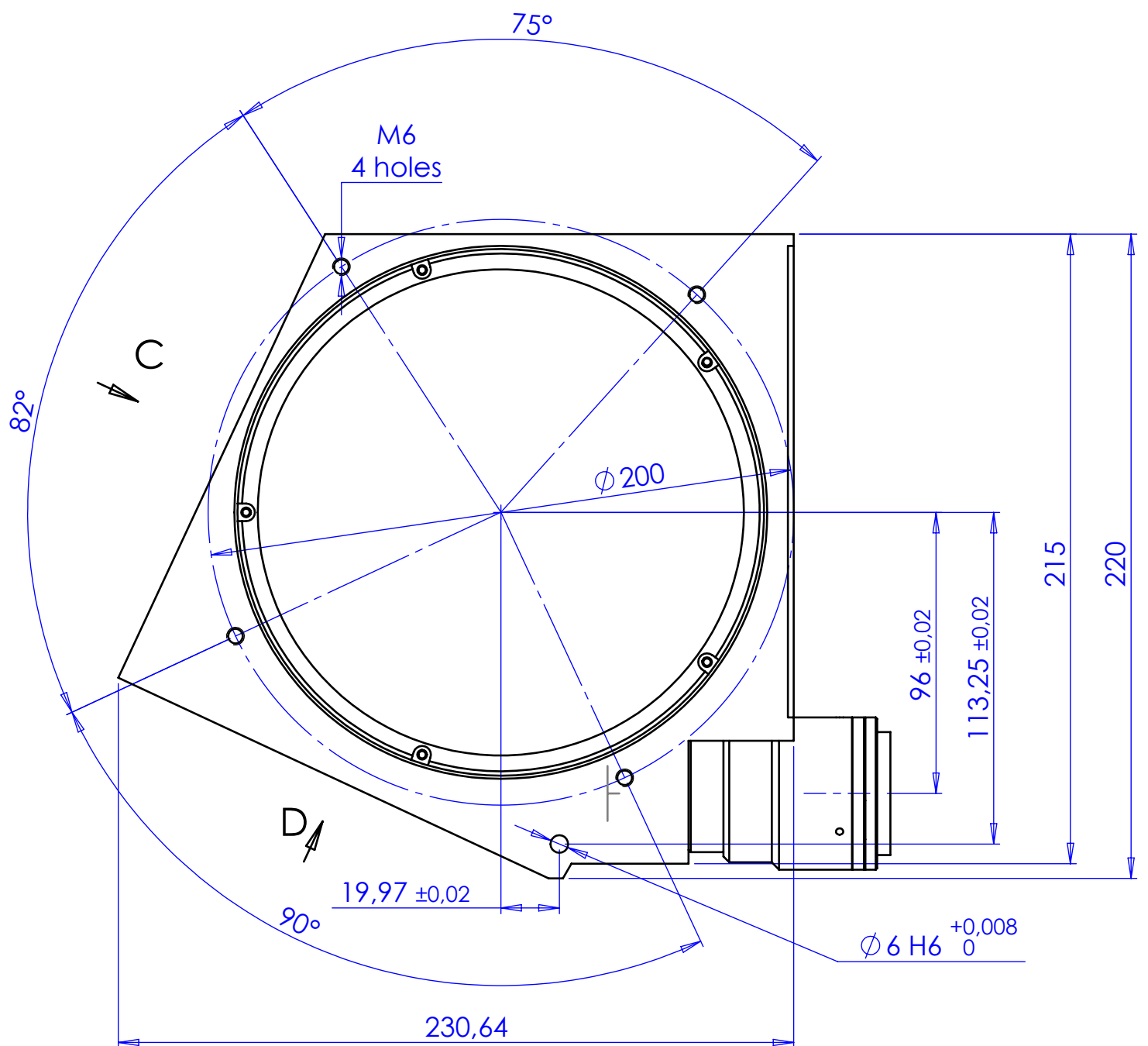


Rev No.	Description	Date	Name



Material	N.A.	Mass	9887 g	Scale	1:2
Surface treatment	N.A.	Part No.	CO26820	Description	
Geometrical tolerance (ISO 2768-2)		Class	K	Undimensioned bevels	0.5x45°
Linear tolerance (ISO 2768-2)		Class	m	Undimensioned radii	R 0.5
0.5	>3+	>6+	>30+	>120	>400+
+3	6	30	120	+400	1000
+0.1	±0.1	±0.2	±0.3	±0.5	±0.8
					±1.2
					±2
Drawing No.		Date	Name	Drawing No.	
Designed		14/03/2017	Vasconetto	DP 26820-A	
Drawn		17/04/2018	Rodella	Sheet	
Checked				1/1	
<p>OPTO ENGINEERING S.r.l. - Mantova Italy - Tel. +39 0376 699111 - www.opto-engineering.com</p> <p>Secret and confidential - All rights reserved - No copy, dissemination or circulation is allowed unless specifically authorized in writing by OPTO ENGINEERING S.r.l. - Any violation shall be legally prosecuted.</p>					

0 1 2 3 4 5 6 7 8 9 10