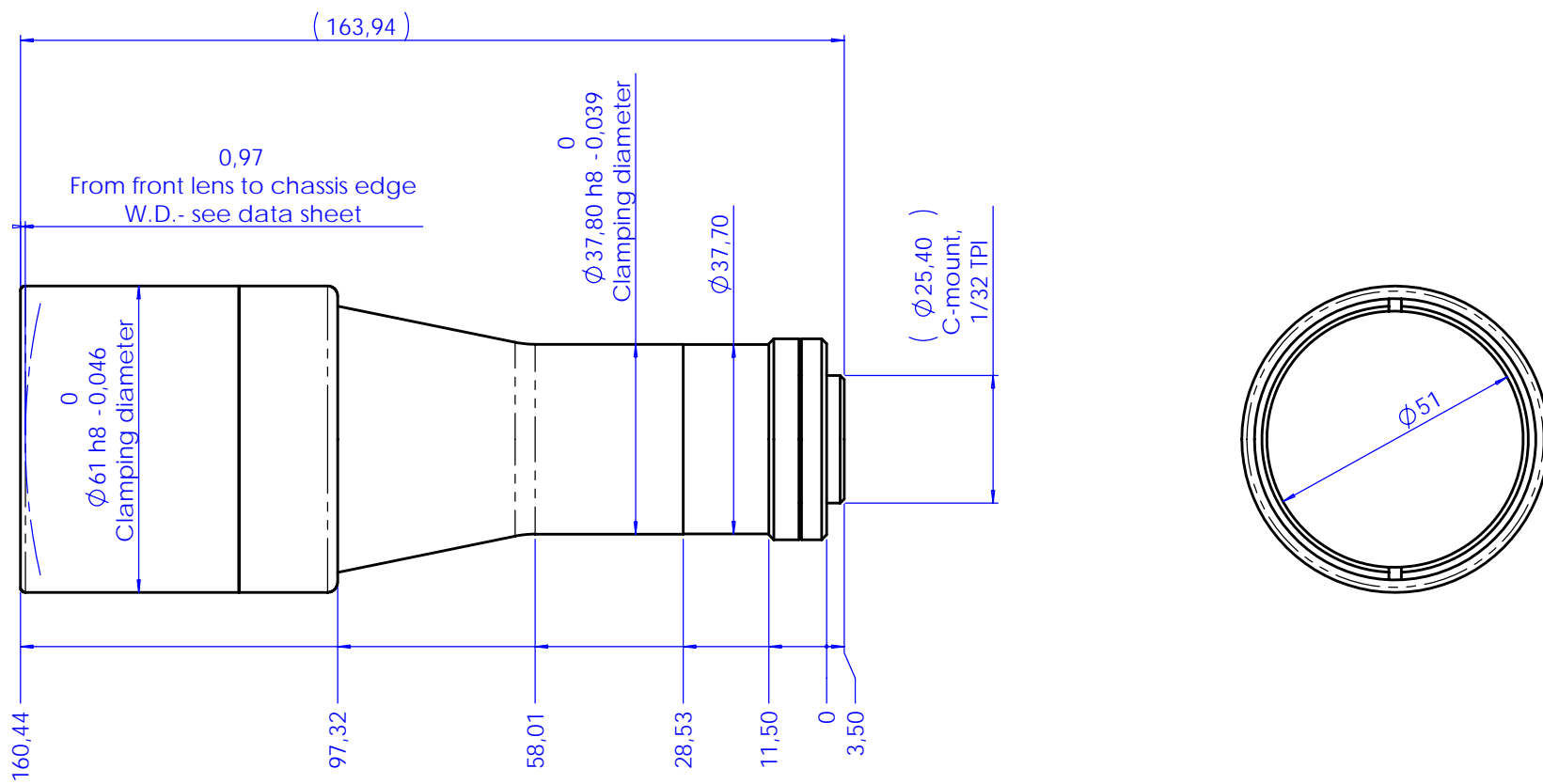


Rev No.	Description	Date	Name
A	First light	09/05/08	A.Vismara



Material	N.A.		Mass	0.52 kg	Scale	1:1						
Surface treatment	N.A.		Project-Prod.Item/Instrument	Telecentric lens UV 23 36								
Geometrical tolerance (ISO 2768-2)		Class	K	Undimensioned bevels	1x45°	Description Assembly						
Linear tolerance (ISO 2768-2)		Class	m	Undimensioned radii	R 0.5							
0.5	>3-	>6-	>30-	>120	>400-	>1000	>2000	Date	Name	Drawing No.	Sheet	
+3	6	30	120	+400	1000	+2000	+4000					
±0.1	±0.1	±0.2	±0.3	±0.5	±0.8	±1.2	±2	Designed	09/05/08	A.Vismara	02621-0-A	1/1
www.opto-engineering.com		Draw	09/05/08	A.Vismara	Checked		X	C. Sedazzari	Reproduction forbidden without specific authorization			
OPTO ENGINEERING S.r.l. - 46100 Mantova Italy - Via Cremona, 29/2 - Tel. +39 0376 263565 - e-mai: info@opto-engineering.com - http://www.opto-engineering.com												